

FLAGON AROMA HUMIDIFIER



INNOVATIVE PRODUCT



FLAGON

AROMA HUMIDIFIER



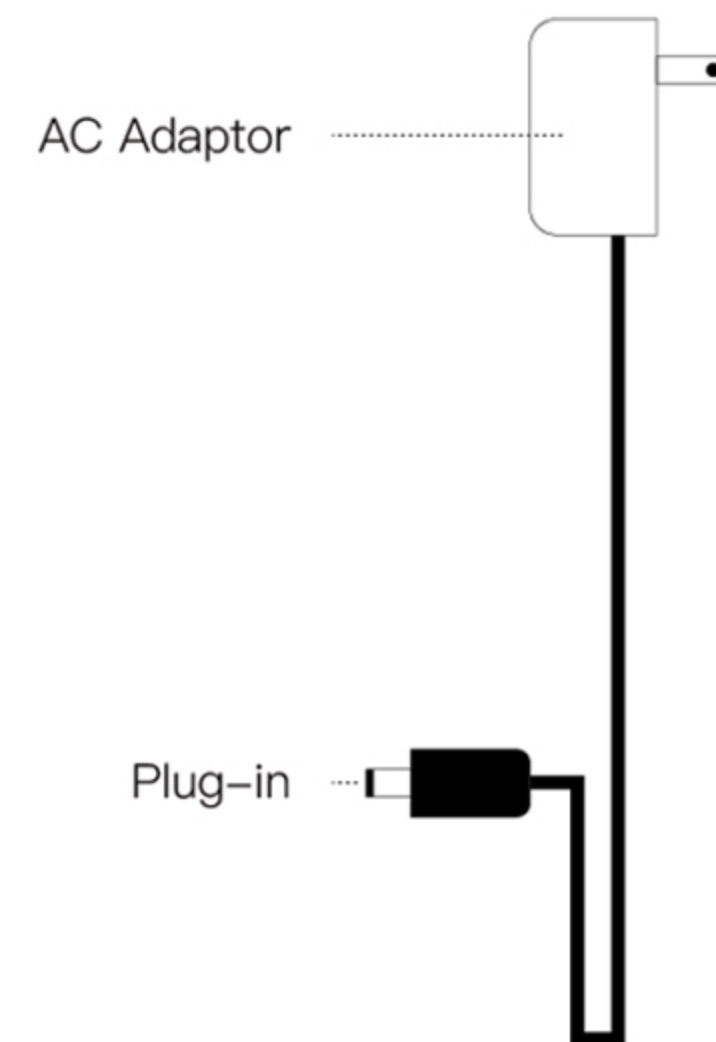
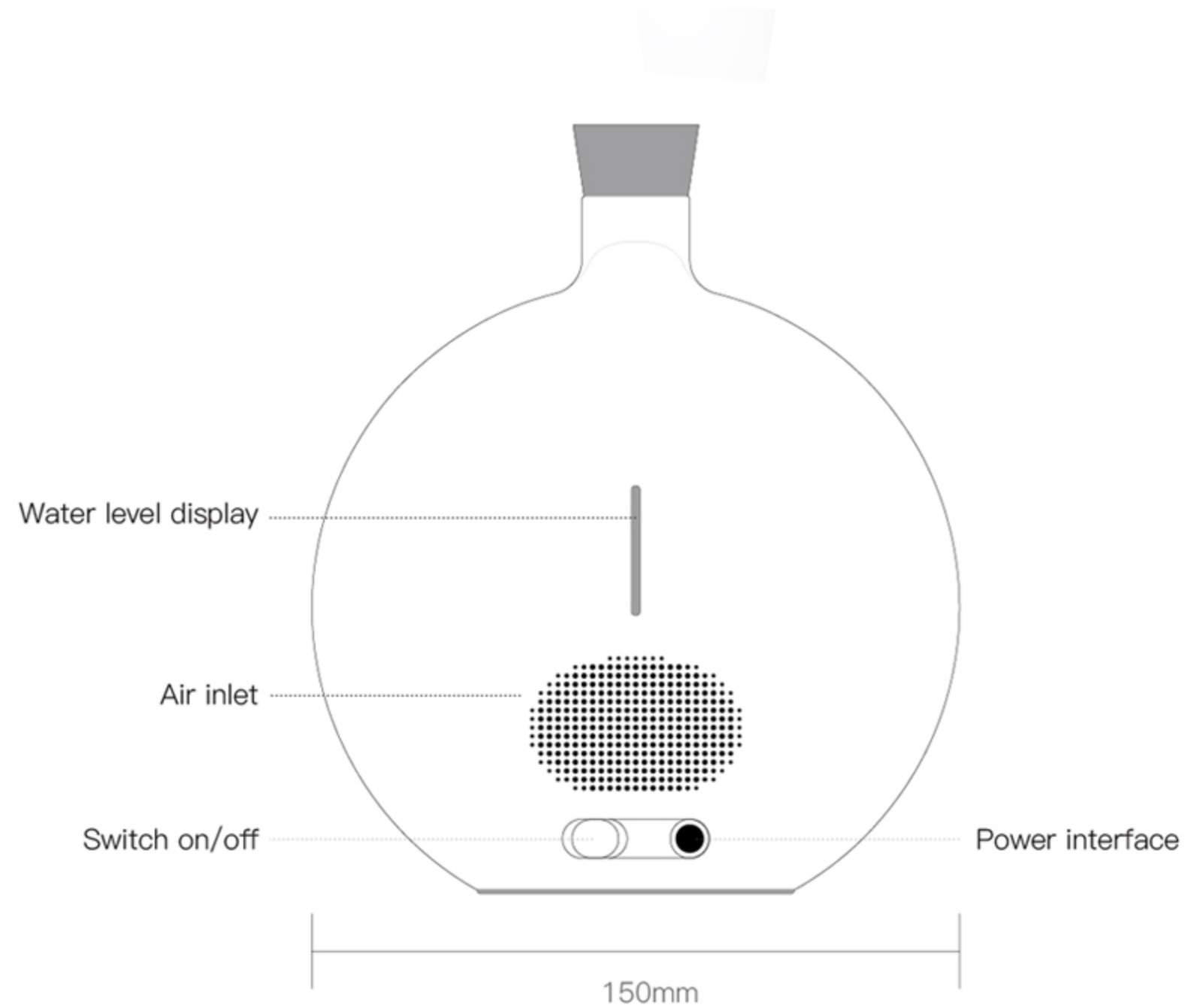
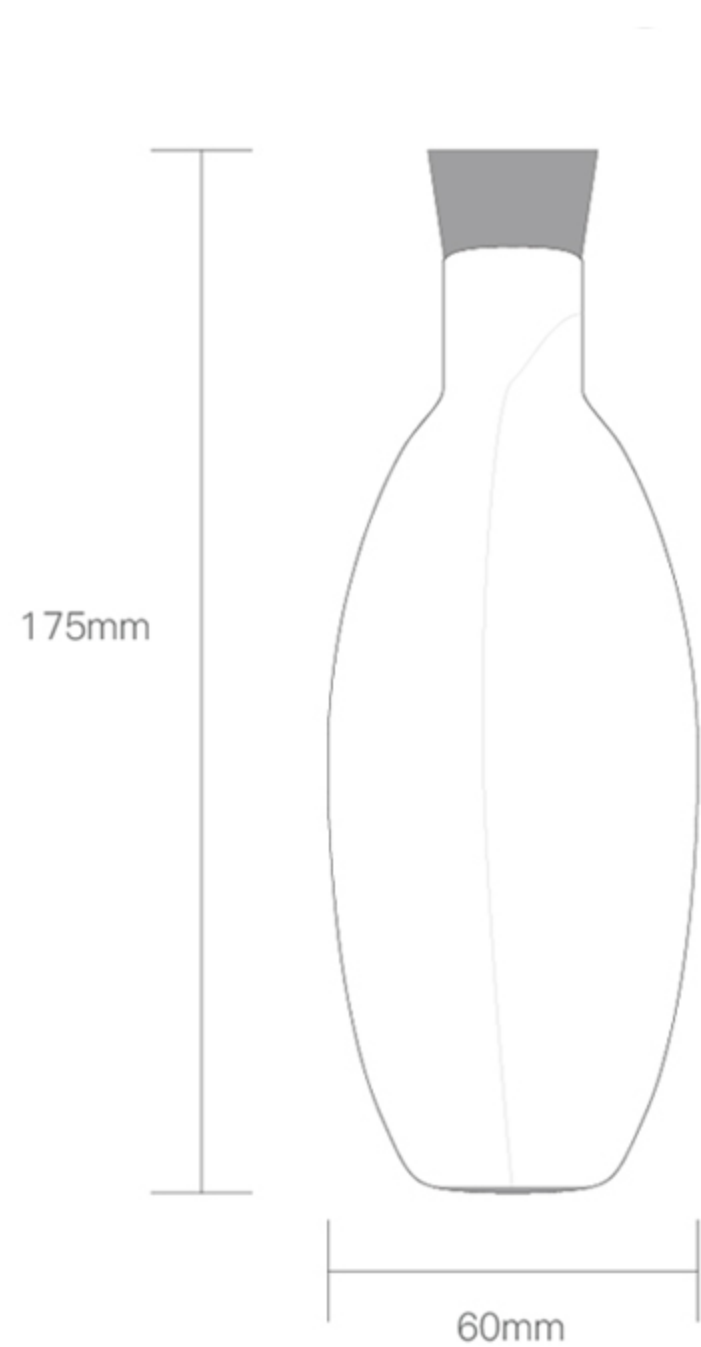
Advanced ultrasonic atomization technology, it will convert the water into 3um superfine drops firstly, then volatilized.

The dust in the air will be falling off together with the superfine drops, decreasing the impurity of the air.

It adopts the PP anti-corrosion material, you can directly add the essential oil as per your favorites.

Water shortage insured system, it will automatically power off as the water level is in "0".







BLACK



WHITE





Step 1

Switch on the power to see if any water is left within.



Step 2

Pour a maximum of 125 ml of water into the humidifier.



Step 3

Once you plugged it in, it will start to dispense the water.



Step 4

It will automatically stop working when you put the cover on

Voltage: **24 V**
power: **10 W**
Volume: **125 ml**
Continuous working: **10 hours**
Material: **ABS, PP, Cork, Magnet**
Size: **H175mm, W150mm, D60mm**
NW: **280g(incl. the cork cover, without adapter)**
Weight: **612g(incl. the cork cover & adapter)**





Headquarters Germany:

EUROPEAN BUYERS COUNCIL AG
Hauptstätter Straße 70
70178 Stuttgart, Germany
Phone: +49 (0)711 806 098 214

Office China:

EUROPEAN BUYERS COUNCIL (GUANGZHOU) CO., LTD.
Unit 621, 34 F Leatop Plaza, No.32 Zhujiang
East Road, Tianhe District, 510620 Guangzhou,
People's Republic of China
Phone: +86 (0)20 8706 6384